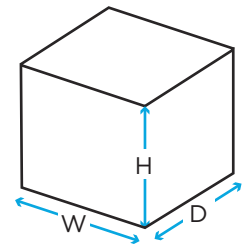


# IBC Hardcover

Technical Data

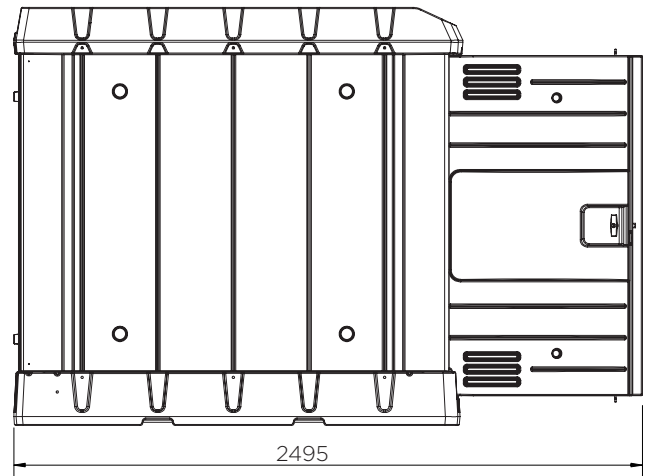
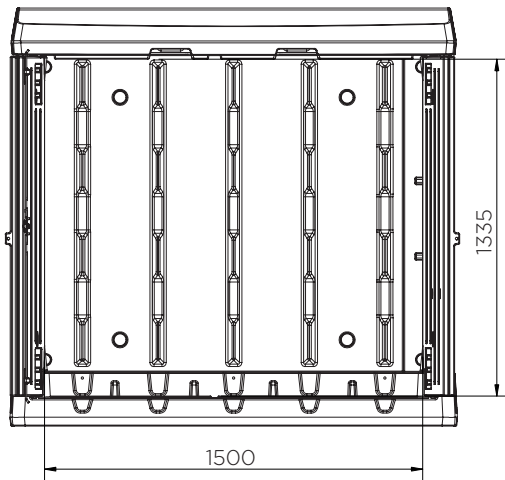
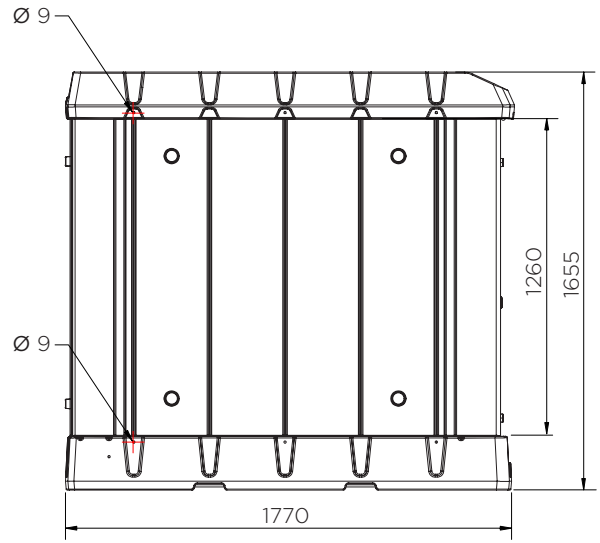
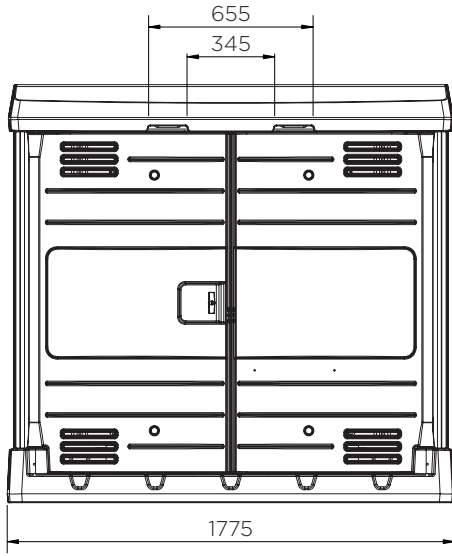


Colour	H x W x D (mm)	Weight (kg)	Capacity (l)	Max. load (kg)	Spill Pallet	DIBt
HC1-YE-YE ●	2265 x 1775 x 1770	221	1260	2500	SJ-510-001	-
HC1-BK-YE/D ●			1000*	2000	SJ-510-002/D	Z-40.22-451

\*Measured to underside of platform

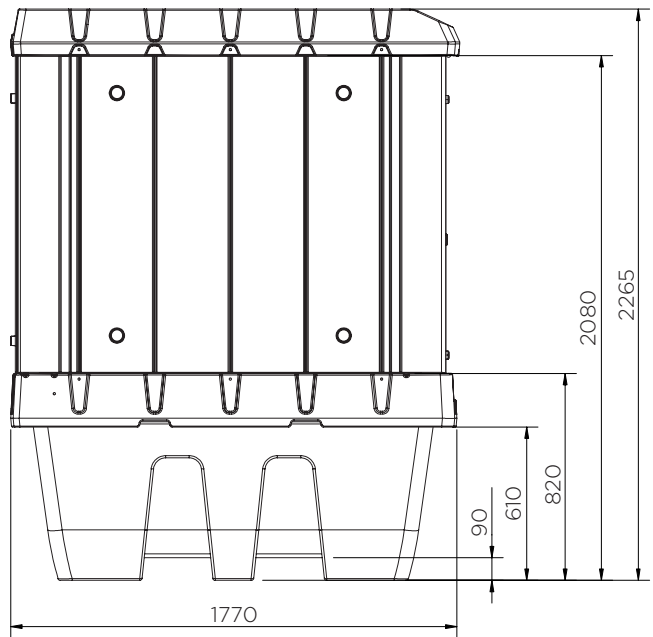
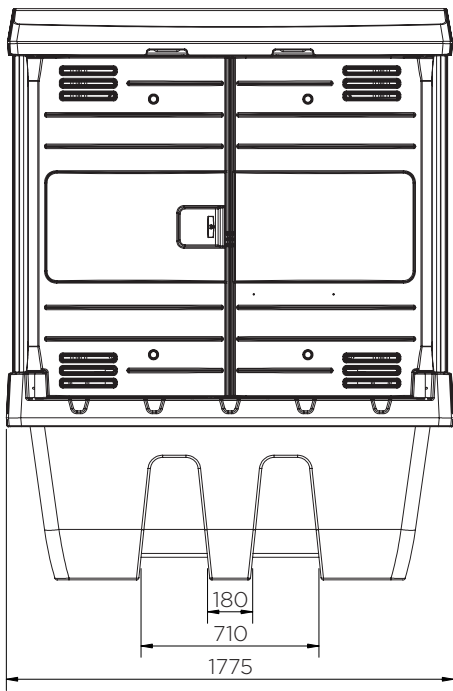
# IBC Hardcover

## Technical Data



# IBC Hardcover

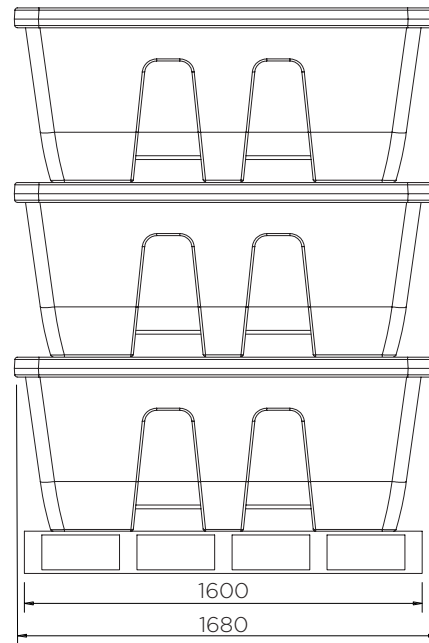
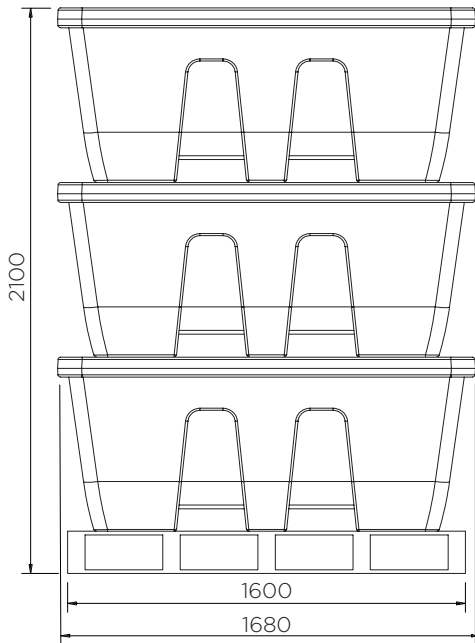
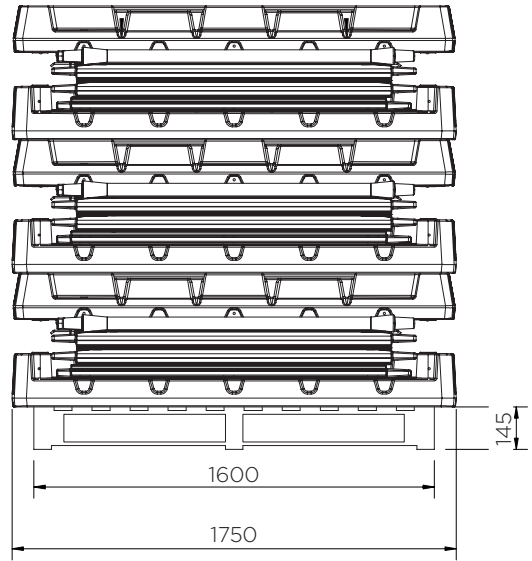
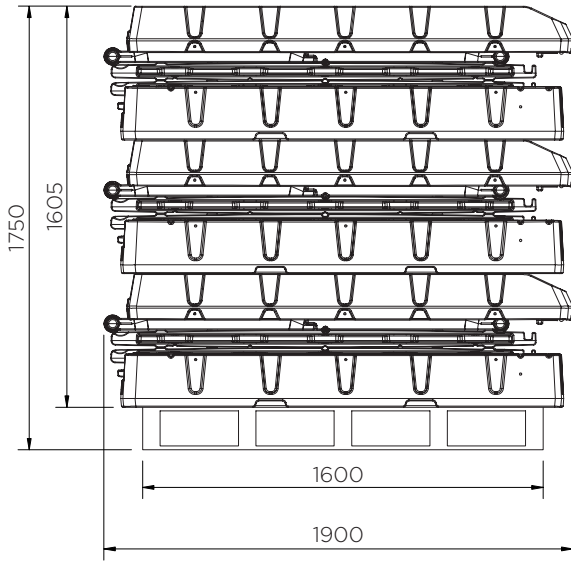
## Technical Data



The information is to our best knowledge true and accurate but all recommendations or suggestions are made without guarantee.

# IBC Hardcover

## Technical Data



**HC1-YE-YE**

Pieces per pallet

3

The information is to our best knowledge true and accurate but all recommendations or suggestions are made without guarantee.